

# A8V

 **华德液压**



**Axial Piston-Bent Axis Design  
Variable Displacement Double Pump**



**斜轴式轴向柱塞  
变量双泵**

技 术 样 本



**北京华德液压工业集团有限责任公司**  
BEIJING HUADE HYDRAULIC INDUSTRIAL GROUP CO.,LTD.

# 目 录 CONTENTS

1

A8V 变量双泵

1

Variable Displacement Double Pump A8V





# 注意事项

1. 为了保证无故障的高效工作，在设计系统期间应根据工况仔细选择液压系统的液压油，所有矿物油基液压油均在某种程度上适用于轴向柱塞元件，它们的应用时基本划分取决于上述的水、粘度与温度关系，并考虑氧化和腐蚀保护、材料相容性、空气和水分离特性。

2. 为了保证设备有长的使用寿命，必须进行良好而可靠的过滤。油液中的硬颗粒污染不得超过以下等级：

等级9——按NAS1638

等级6——按 SAE

等级18/15——按ISO/DIS 4406

在油液温度很高时，最低清洁度为：

等级8——按NAS1638

等级5——按SAE

等级17/14——按ISO/DIS 4406

3. 为了正确选择液压油，必须知道与环境温度有关的工作温度；在闭式回路中这是回路温度，在开式回路中这是油箱温度。

4. 注意：漏油（壳体泄油）温度受压力和转速的影响，总是高于回路温度，然而要求回路中任何点温度不得超过90℃。

如果由于极端的工作参数或较高的环境温度，而不能维持上述条件，订货时请询问我公司。

5. 泵的进油口压力（绝对压力）处须 $\geq 0.08\text{MPa}$ ，及泄油压力（壳体内允许的最高压力）为 $0.2\text{MPa}$ （绝对压力），壳体内压力值必须等于或高于作用在轴密封上的外部压力值。

6. 安装位置：一般要求液压泵/马达安装位置、壳体上边缘低于油箱最低液面。若安装需在油面以上，请在订货时提出。

《样本》所述技术资料，仅供参考。若有特殊要求请与我集团公司技术部门咨询，若有更改，恕不通知。

**The technical information in the catalog is for your reference. Please consult our technical Dept. , if you have any special requirements.**

# NOTES

1. In order to guarantee trouble-free and efficient operation, the hydraulic fluid in a hydrostatic system should be selected carefully according to the actual working conditions during the design of the system. All mineral oil based fluids are suitable to a greater or lesser degree for application in axial piston units. Their basic classification of application results from what has already been said due to the water , viscosity and temperature relationships, with consideration of oxidization and corrosion protection, material compatibility , air and water separation characteristics.

2. In order to guarantee a long service life for the installation, good and reliable filtration is necessary. The hard particle contamination of fluid may not exceed a level determined by:

Class 9 to NAS 1638

Class 6 to SAE

Class 18/15 to ISO/DIS 4406

When the fluid temperature is too high, the required minimum degree of cleanliness is:

Class 8 to NAS 1638

Class 5 to SAE

Class 17/14 to ISO/DIS 4406

3. In order to select the correct fluid, it is necessary to know the operating temperature in the circuit in relation to the ambient temperature—in an open circuit and the tank temperature.

4. Important: The leakage oil (case drain oil) temperature is influenced by pressure and pump speed and is always higher than the circuit temperature. However, at no point in the circuit may the temperature exceed 90℃.

If it is not possible to comply with the above conditions because of extreme operating parameters or high ambient temperatures, please consult us.

5. The minimum pressure at the suction port of the pump  $\geq 0.08\text{ Mpa}$ ( absolute pressure), and the drain pressure (max. permissible casing pressure) is  $0.2\text{ MPa}$ ( absolute pressure). The pressure in the housing must be the same or greater than the external pressure on the shaft seal.

6. Installation position: in general, the upper point on the pump/ motor housing must be below the minimum oil level of the tank. If you would like to install it above the minimum oil level, please indicate when order.

北京华德液压工业  
集团有限责任公司  
BEIJING HUADE HYDRAULIC  
INDUSTRIAL GROUP CO.,LTD.

## A8V变量双泵 Variable Displacement Double Pump A8V

RC92300/12.2004

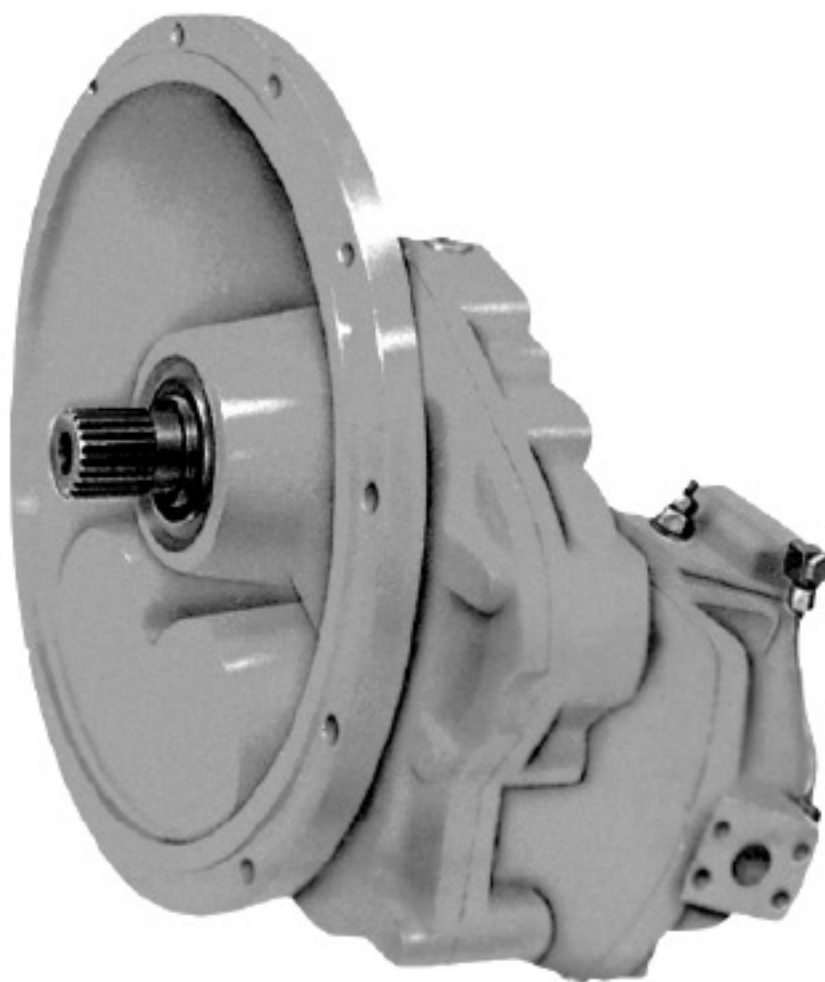
用于开式回路  
For open circuits

斜轴式轴向柱塞结构  
axial tapered piston, bent axis design

规格 Size 28-160

高压范围 Peak pressure 至 up to 40MPa

替代: Replace RC92300/09.2003



### 说明:

- 主要部件有共用一个外壳的两个变量泵，分动箱，直接安装在原动机上的SAE法兰及控制装置—通常是叠加HP控制。
- 流量与转速和排量成正比，并可通过改变倾角来无级变化。

### Description

Two variable pumps in a common housing, the splitter box, an SAE flange for direct mounting on to the prime mover and the control device—usually summation HP control. Flow is proportional to speed by change the swivel angle.

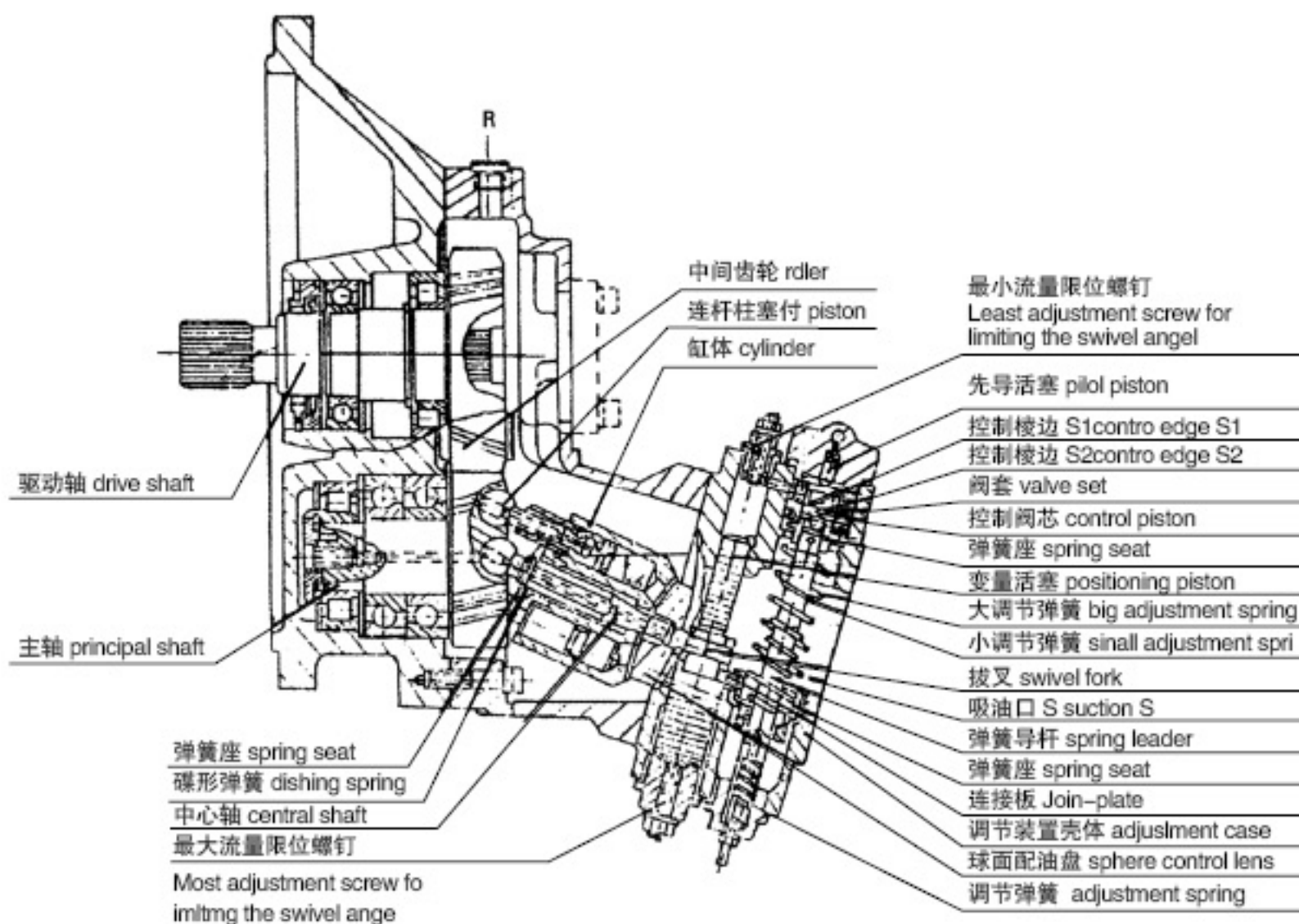
### 特点:

- 带有辅助驱动的不同结构方案及多回路控制的可能性，使它可与各种驱动应用最佳匹配。
- 结构紧凑，易于安装与保养。
- 压力高、耐冲击，工作寿命长。

### Special Features

The various design options with auxiliary drive and the possibility of multi-circuit control allow optimum matching to individual drive applications.

### 剖视图:



# A8V变量双泵 Variable Displacement Double Pump A8V

## 型号说明 Ordering Code

A8V 55 SR 1.1 R 1 0 1 F 1

**泵型号 Pump Type**  
 变量双泵 Variable Displacement  
 Double Pump

**规格 Size**

8.1-28.1ml/r	28
15.8-54.8ml/r	55
0-58ml/r	58
23.1-80ml/r	80
30.8-107ml/r	107
21.8-125ml/r	125
46.2-160ml/r	160

(每个旋转组件的排量  $V_{gmin} - V_{gmax}$ )  
 (Displacement  $V_{gmin} - V_{gmax}$  per rotary group)  
 只有 DM.LL 控制方式  
 Only exist control device DM.LL

**控制方式 Control Device**

总功率变量 Summation HP control	SR
分功率变量 Individual power control	LL
分功率交叉变量 Cross-sensing control	LLC
恒压手动变量 Constant pressure and manual control	DM

**结构 Design**

见下 See below	1.1
	1.2
	2
	3
	4
	5

**行程限位 Stroke Limiter**

固定的 fixed	1
液控的 hydraulic	2
机械的 mechanical (2.3 不用于规格 28) (2.3 not for Size 28)	3

**压油口连接 Pressure Connection**

螺纹(用于规格 28)	G
法兰 SAE SAE flange connection	F

**吸油口连接 Suction Connection**

SAE 法兰 SAE flange	1
-------------------	---

**速比 Gear Ratio**

规格 size	28	55	58	80	107	125	160	
代号 Ratio 0	-	1.00	-	1.00	1.00	1.00	1.00	0
代号 Ratio 1	0.73	0.75	0.87	0.87	0.85			1
代号 Ratio 2	0.86	0.93	1.06	1.06	1.08			2
代号 Ratio 3	-	1.17	-	1.35	1.23			3
代号 Ratio 4	-	0.84	0.81	-	-			4
代号 Ratio 5	-	1.05	-	1.18	-			5

**系列 Series**

1

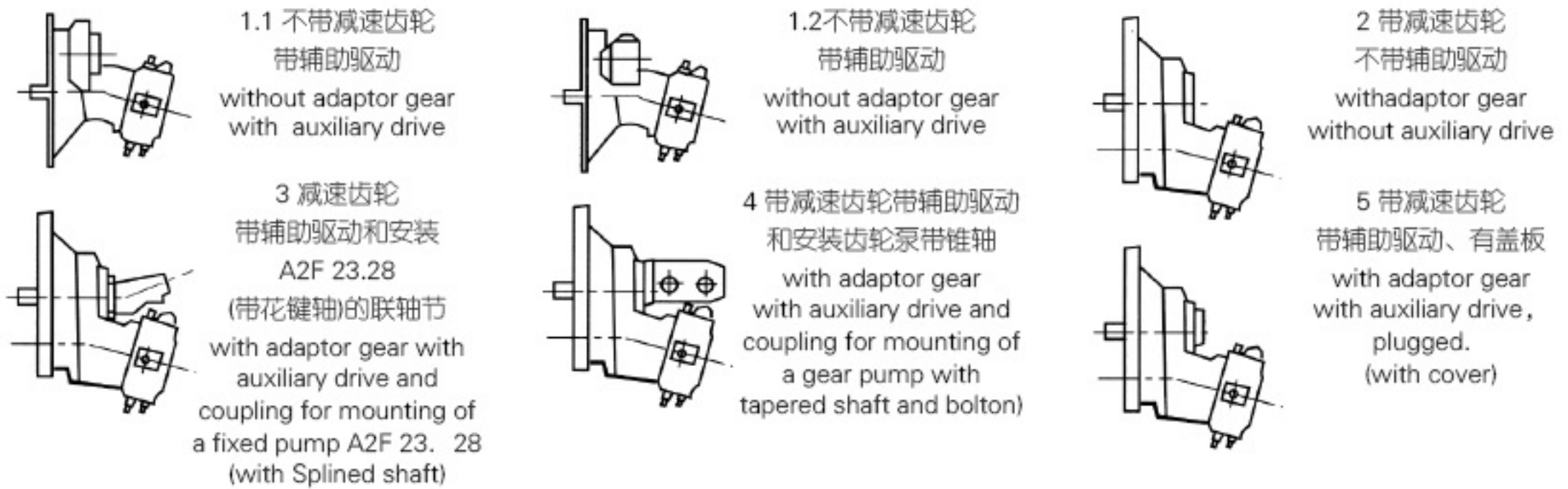
**旋转方向(从轴端看) Direction of Rotation(View ed on shaft end)**

顺时针 Clock wise R



# A8V变量双泵 Variable Displacement Double Pump A8V

## 结构 Design 1.1-5



### 订货示例:

A8V, 55, SR, 1.1, R, 1, 0, 1, F, 1  
变量双泵A8V, 规格55, 总功率变量, 结构1.1, 顺时针旋转, 1  
系列, 速比1.00, 吸油口1, SAE压力油口, 固定行程限位器。  
用于辅助驱动的泵应在订货时单独列出。

### Ordering Example

A8V, 55, SR, 1.1, R, 1, 0, 1, F, 1  
Variable Displacement Double Pump A8V, Size55, Summation  
HP Control, Design1.1, Clockwise rotation, Series 1, gear  
ratio 1.00, Suction Connection 1, SAE Pressure connection,  
fixed stroke limiter. Pimps for auxiliary drive should be listed  
separately when ordering.

## 技术参数 Technical Data

### 工作压力范围: Operating Pressure Range:

A或B口压力: Pressure at port A or B.

额定压力: Nominal pressure  $P_n=35\text{MPa}$

最高压力: Peak pressure  $P_{max}=40\text{MPa}$

吸油口S的绝对压力: Absolute pressure on  
the suction inlet S

$P_{absmin}$  0.08MPa

$P_{absmax}$  0.2MPa

### 油温范围: Fluid Temperature Range:

$t_{min}$  -25°C

$t_{max}$  80°C

### 粘度范围: Optimum Operating Viscosity Range:

$\gamma_{min}$  10mm<sup>2</sup>/s

$\gamma_{max}$  (短时)(for short periods)100mm<sup>2</sup>/S

### 最佳工作粘度: Optimum Operating Viscosity:

$\gamma_{opt}$  16-36mm<sup>2</sup>/S

### 油液选择: Fluid Recommendation

工作温度 推荐粘度等级符合DIN 51519

Operating Recommended Viscosity

grade temperature to DIN51519

range ISO(VG)

30-40°C VG22=22mm<sup>2</sup>/S 在 at40°C

40-50°C VG32=32mm<sup>2</sup>/S 在 at40°C

50-60°C VG46=46mm<sup>2</sup>/S 在 at40°C

60-70°C VG68=68mm<sup>2</sup>/S 在 at40°C

70-80°C VG100=100mm<sup>2</sup>/S 在 at40°C

### 液压油的过滤: Filtration of Hydraulic Fluid

推荐过滤精度为10 μm。亦可使用25-40 μm。使用10 μm的可以  
延长使用寿命(降低磨损)。

Recommended filtration 10 μm. Coarser filtration of 25 to 40 μm  
is possible, however longer service life is achieved with filtration  
of 10 μm(reduced wear).

### 转速范围: Speed Range

最低转速没有限制, 最高转速 $n_{Amax}$ 见下表

No limitation on minimum speed  $n_{min}$ .

See data table for max.permissible speeds  $n_{Amax}$ .

### 安装位置: Mounting Position

驱动轴水平安装。其它位置也可以, 但事先应询问本厂

Horizontal, as referred to the drive shaft; other positions are  
possible, but require prior consultation with us.

辅助驱动的输出转速与输入转速 $n_A$ 相同。(结构3, 4, 5)

Output speed of the auxiliary drive is the same as input speed  $n_A$   
(Design 3, 4, 5)

辅助驱动速比: Auxiliary Drive Gear Ratio

### 结构 规格 Size

Design	55	80	107	125	160
1.1	1.244	1.333	1.256		
1.2	1.00	1.00	1.00	1.00	1.00

### 旋转方向(从轴端看): Direction of rotation(Viewed on Shaft)

结构1.1(Design 1.1): 逆时针(anti-Clockwise)

结构1.2(Design 1.2): 顺时针(Clockwise)

# A8V变量双泵 Variable Displacement Double Pump A8V

## 技术参数表

(理论值、未考虑  $\eta_{mb}$  和  $\eta_v$ , 数值经过园整)

## Technical Data

(theoretical Values, without considering mb and v, Values rounded off)

规格 Size	单侧泵排量 $V_{gmax}$ Displacement of double pump per rotary group $V_{gmax}(ml/r)$	分动箱 齿轮速 比 Splitter box gear ratio	最大驱动转速 $n_{Amax}(r/min)$ 当吸油口绝对压力为P 及排量为 $V_{gmax}$ 时 Max.drive speed $n_{Amax}(r/min)$ for (absolute)pressure P at suction inlet S and max.displ. $V_{gmax}$			双泵最大流量 $Q_{max}(l/min)$ (考虑3%的容积损失)在对 应转速下 Max.flow $Q_{max}(l/min)$ of double pump(displacement losses of 3%included)at speed			双泵驱动功率 P(KW) Drive power P(kw)of doubl pump, with $\Delta p1+\Delta p2=35MPa$ (start of control)and $Q_{max}$ at speed			惯性矩 J(kgm <sup>2</sup> ) Moment of inertia J(kgm <sup>2</sup> )	重量 kg Weight Kg	
			P=0.09MPa	P=0.1MPa	P=0.15MPa	n0.09	n0.1	n0.15	n0.09	n0.1	n0.15			0.09
28	28.1	0.729	2040	2185	2350								0.014020	54
		0.860	2410	2580	2770	2 × 76	2 × 82	2 × 88	46	49	53		0.009351	
55	54.8	1.000	2360	2500	2640	2 × 125	2 × 133	2 × 140	75	80	84		0.012475	100
		0.745	1760	1860	1965								0.03743	
		0.837	1975	2090	2210								0.02818	
		0.9318	2200	2330	2460	2 × 125	2 × 133	2 × 140	75	80	84		0.02175	
		1.051	2480	2625	2775								0.01639	
		1.1714	2765	2930	3090								0.012977	
58	58.8	0.8125	2315	2435	2720								0.06189	130
		0.8667	2470	2600	2900	2 × 165	2 × 174	2 × 194					0.05590	
80	80	1.054	3000	3160	3530								0.3579	130
		1.000	2120	2240	2370	2 × 164	2 × 174	2 × 184	99	105	111		0.02680	
		0.8666	1840	1940	2055								0.05590	
		1.054	2235	2360	2500	2 × 164	2 × 174	2 × 184	99	105	111		0.03579	
107	107	1.181	2505	2645	2800								0.02797	165
		1.3448	2850	3010	3185								0.02137	
		1.000	1900	2000	2135	2 × 197	2 × 208	2 × 222	119	125	133		0.03625	
		0.8431	1600	1685	1800								0.08257	
125	125	1.075	2040	2150	2295	2 × 197	2 × 208	2 × 222	119	125	133		0.047012	180
		1.2285	2335	2455	2625								0.035353	
160	160	1.000	1900	2000	2135	2 × 230	2 × 242	2 × 258	139	146	156		0.055	200
160	160	1.000	1750	1900	2100	2 × 271	2 × 284	2 × 325	164	178	196		0.064	200

# A8V变量双泵 Variable Displacement Double Pump A8V

## 总功率变量

SR总功率变量是一种与压力有关的先导控制，可无级同步调节双泵的倾角，从而在 $V_{gmax}$ 至 $V_{gmin}$ 范围内调节泵的排量，流量与系统压力成反比，以保持液压功率恒定。

总功率变量是以两个压力之和( $P_1+P_2$ )来进行控制的，因此，当一个泵要较小功率时，其余功率可作用于另一个泵。在极端情况下，任一个泵都可得到最大功率。

$$P = \frac{(P_1 + P_2) \cdot Q}{60 \cdot \eta_t} = \text{恒量}$$

P= 驱动功率

$P_1, P_2$ = 压力

$\eta_t$ = 总效率

Q= 流量

## Summation HP Control

Summation HP control SR is a pressure related, pilot operated control which steplessly adjusts the swivel angle, and thus the displacement, of the under-coupled pumps in the range  $V_{gmax}$  to  $V_{gmin}$ . Flow is inversely proportional to system pressures, thereby maintaining hydraulic power constant.

Summation HP control means control using the sum of the two pressure ( $P_1+P_2$ ). If one pump requires less power, then the remaining power is available to the other pump. In extreme cases, either pump can be supplied with the maximum power.

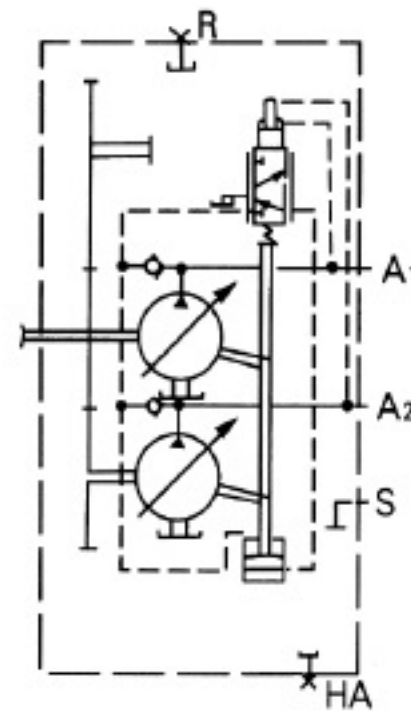
constant

drive power [kw]

pressure [MPa]

overall efficiency

flow [L/min]



A8V...SR

结构 Design1.2

接口

A1, A2工作油口

S 吸油口

R 排气口

HA 放油口

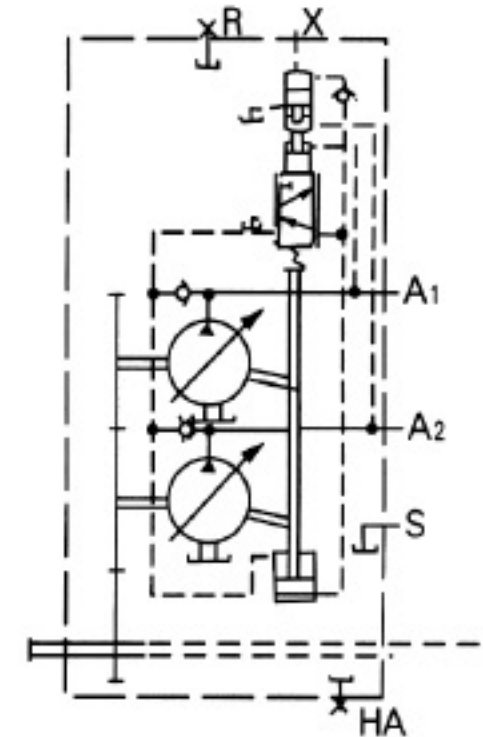
X 先导压力口

**辅助装置：行程限位器**Auxiliary Device: Stroke Limiter 固定的一用限位螺钉把最大流量固定于所需的 $V_{gmax}$ 上(订货时注明数值)。

机械的——通过机械行程限位可无级地改变或限制最大排量，调节范围从 $V_{gmax}$ 到 $V_{gmin}$ 。

液压的——用附加的液压行程限位器，可无级地改变或限制最大排量，调节范围从 $V_{gmax}$ (固定设置)到 $V_{gmin}$ 。

液压行程限位器所需先导压力(x油口)不低于工作压力( $P_1+P_2$ )的1/14，但x口的最低压力不低于0.7MPa，最高允许压力为5MPa(所有规格)。



A8V...SR

结构 Design2-5

带液压行程限位

with hydraulic stroke limiter

connections

service lines

suction line

air bleed

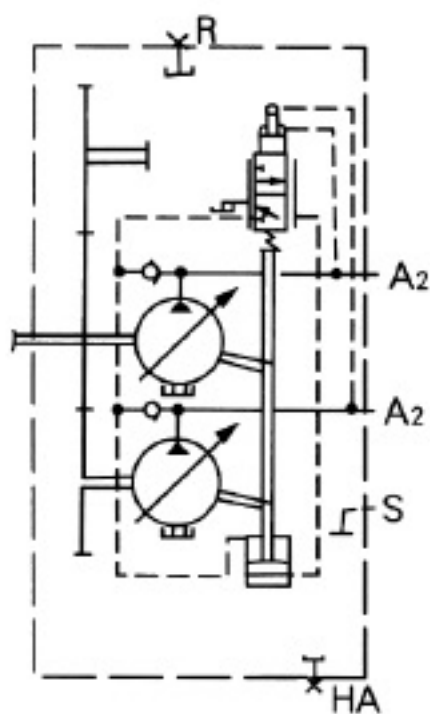
oil drain

pilot pressure

The fixed setting of the max. flow at the required value  $V_{gmax}$  is made by means of a stop screw (please indicate require value in clear text when ordering).

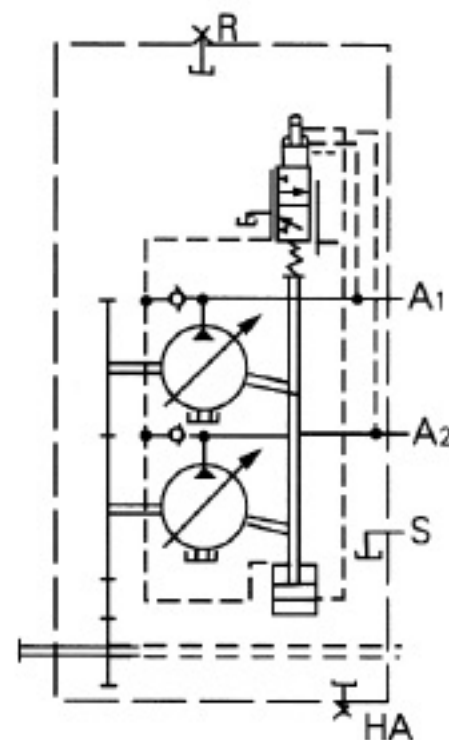
By means of mechanical stroke limiter, the max. displacement can be steplessly varied of limited. Adjustment range from  $V_{gmax}$  to  $V_{gmin}$ .

By means of an additional hydraulic stroke limiter, the max. displacement can be steplessly varied of limited. Adjustment range is from  $V_{gmax}$  (fixed setting) to  $V_{gmin}$ .



A8V...SR

结构 Design1.1



A8V...SR

结构 Design2-5



# A8V变量双泵 Variable Displacement Double Pump A8V

A pilot pressure(port X) of at least 1/14 of the operating pressure (P1+P2) is required for the hydraulic stroke limiter; however, min. pressure at port X must not 0.7MPa. Max. Permissible pressure is 5MPa(for all Sizes)

恒压手动变量是一种分功率调节控制，一泵为恒压变量泵，一泵为手动变量泵，排量在0-58ml范围内可调，恒压变量在其变量范围内保持系统压力恒定，不受泵流量变化的影响，变量泵仅供应工作必须的油液体积。如果压力超过设定值，则泵自动摆回小角度。压力设定范围5-35MPa。 $\Delta P_{max}=1MPa$ 。

Constant pressure and manual control DM is an individual power control. One pump is a constant pressure control, the other pump is a manual control, and the displacement is adjustable is the range 0 to 58ml.

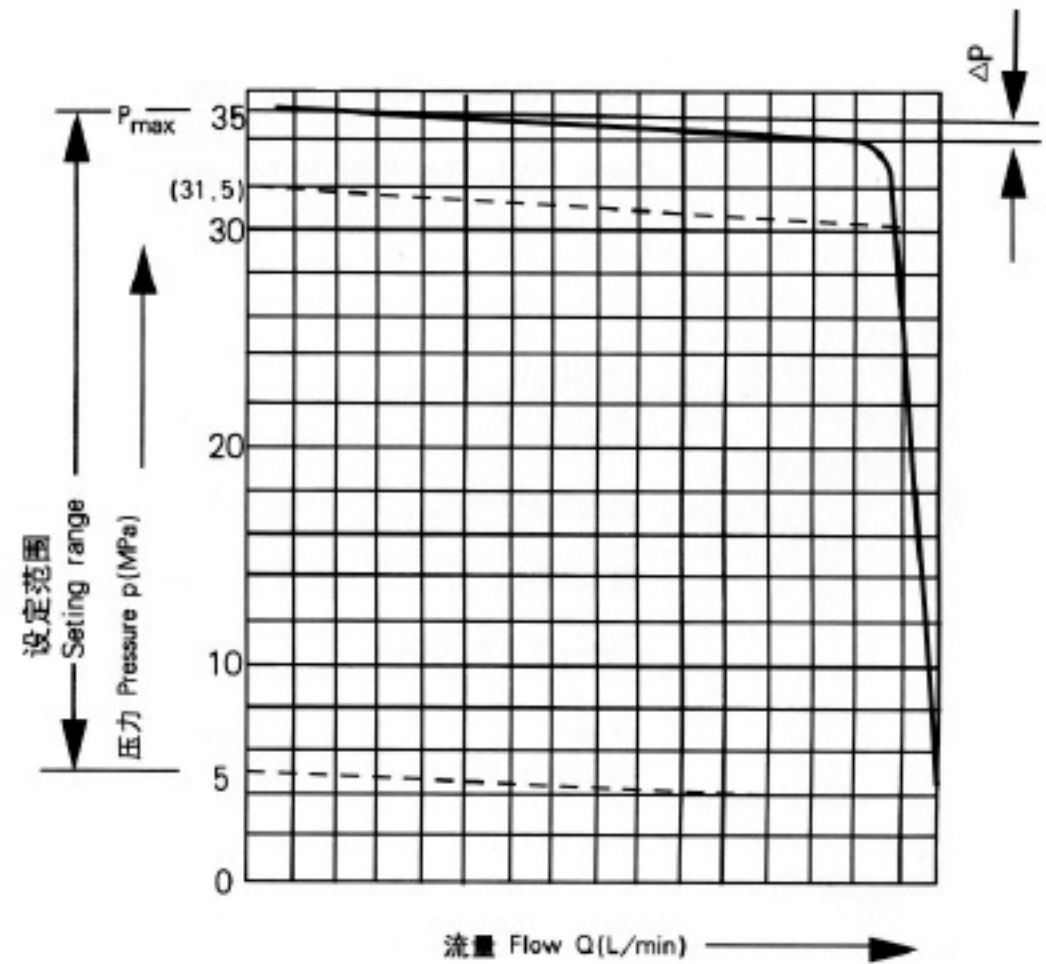
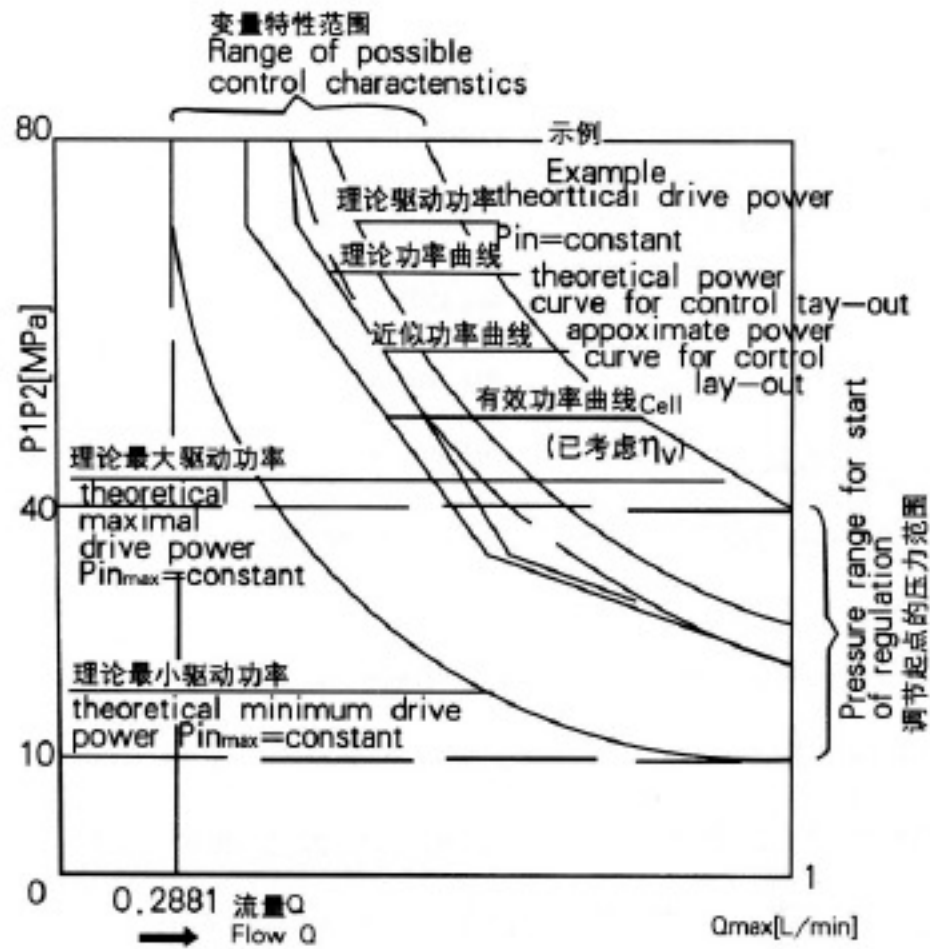
The constant pressure control maintains the pressure in a hydraulic system constant within its control range in spite of changing pump flow requirements. The variable pump supplies only the volume of fluid required by the services. Should operating pressure exceed the set pressure, the pump is automatically swivelled back to a smaller angle. Setting range from 5 to 35MPa.  $\Delta P_{max}=1MPa$ .



固定的 fixed setting

调节范围  
adjustment range  
机械的mechanical  
液压的hydraulic

## 通用变量特性曲线 Control Curve(general)



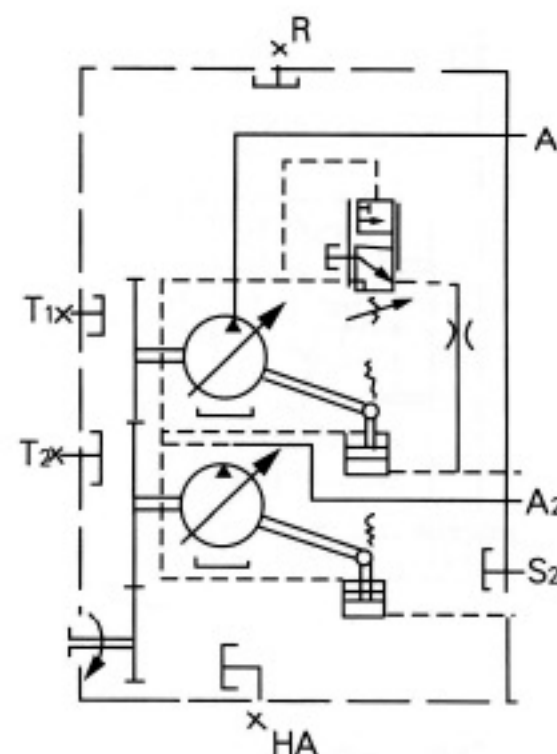
变量起点的压力范围10-40MPa为两泵之压力总和，P1=泵1的压力，P2=泵2的压力，每个驱动均有一个特定的功率曲线。

Pressure range at start of control 10-40MPa total summated pressure P1=pressure from pump 1, P2=pressure from pump 2.

Special curves are produced for each individual drive.

Constant Pressure and Manual Control DM

## 恒压手动变量



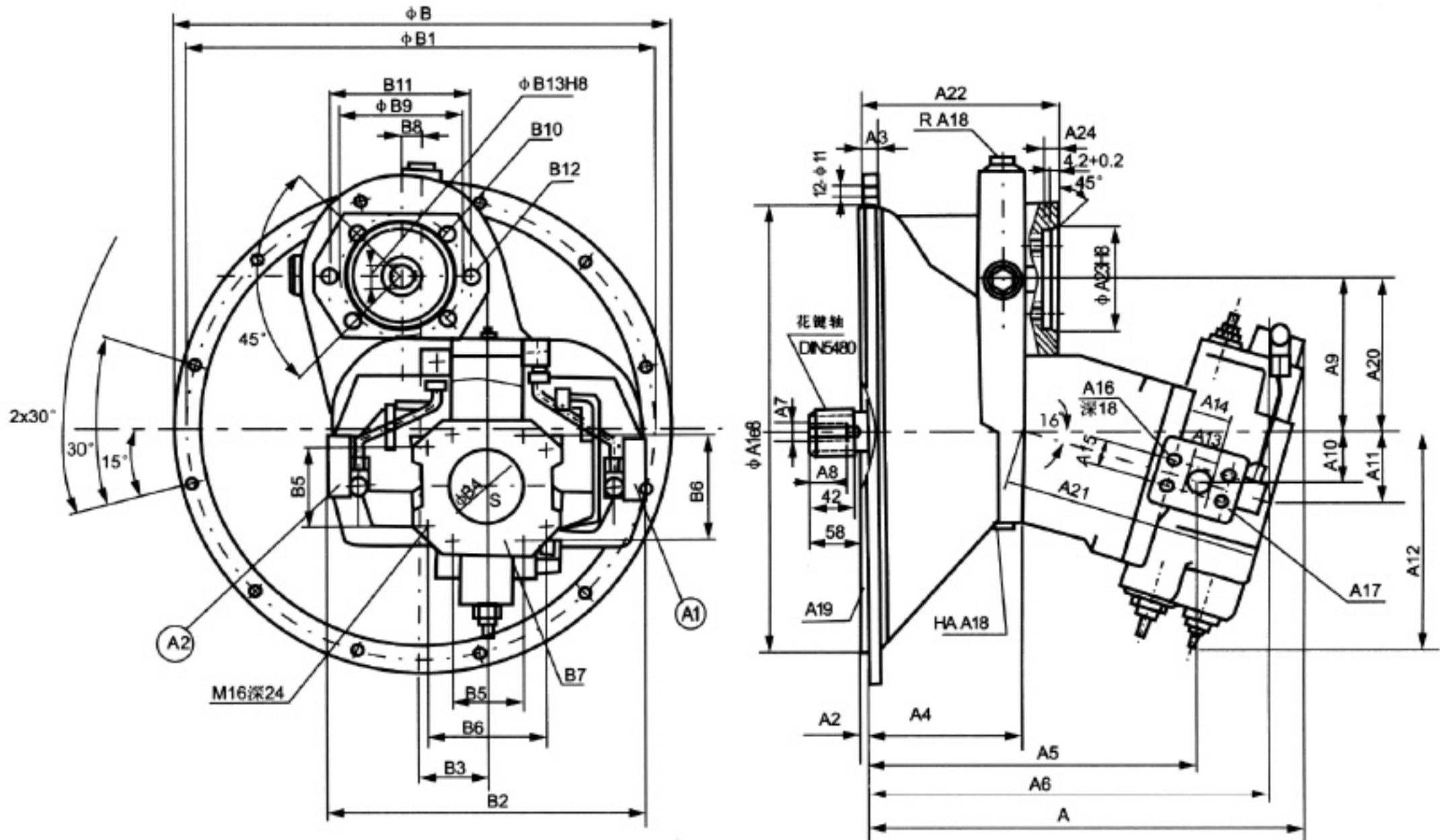
- 接口 Connections
- A1, A2工作油口 service lines
- S吸油口 suction line
- R排气口 air bleed
- HA放油口 oil drain
- T1, T2冷却冲洗口 connection for flushing fluid

DM恒压手动变量 Constant pressure and manual control DM

# A8V变量双泵 Variable Displacement Double Pump A8V

元件尺寸, 规格55、80和107 Unit Dimensions, Size 55、88 and 107

结构1.1 Design 1.1  
 不带减速齿轮 With out adaptor gear  
 带辅助驱动 With auxiliary drive



A1:A2工作油口 Service lines  
 S= 吸油油口 Suction line  
 R= 排气口(堵死) air bleed(plugged)  
 HA= 泄油口(堵死) oil drain(plugged)

规格 Size	A	A1	A2	A3	A4	A5	A6	A7	A8	A9	A10	A11	A12	A13	A14	A15	A16	深 deep	A17法兰 Flange
55	361	361.95	5	12	130	273	331	M12	28	92	41	57.6	179.5	20	50.8	23.8	M10	17	SAE3 / 4" 42MPa(6000Psi)
80	418	409.575	6	12	144	310	383	M16	36	107.3	47.2	68.5	214.3	25	57.2	27.8	M12	17	SAE1" 42MPa(6000Psi)
107	443	447.7	6	16	157	335	407	M16	36	115.6	51	71.6	216.3	25	57.2	27.8	M12	18	SAE1" 42MPa(6000Psi)

规格 Size	A18	A19法兰 Flange	A20	A21	A22	A23	A24	B	B1	B2	B3	B4	B5	B6	B7法兰 Flange	B8	B9
55	M18 x 1.5	SAE4	116	209	66.5	80	11.5	407	381	270	54.25	76	61.9	106.4	SAE3"	3.5MPa	
80	M22 x 1.5	SAE3	140.08	248.5	180	100	12	456	428.625	290	60.5	102	77.8	130.2	SAE4"	3.5MPa	20 125
107	M22 x 1.5	SAE2	150	260	192	100	12	495	466.7	320	67	102	77.8	130.2	SAE4"	3.5MPa	20 125

规格 Size	B10	深deep	B11	B12	深deep	B13	平键CB1096 Keyed	花键DIN5480 Splined	重量 Weight Kg
55			109	M10	16	18	键 6 x 25	W40 x 2 x 18 x 9g	72
80	M10	16	140	M14	20	25	键 8 x 15	W45 x 2 x 21 x 9g	100
107	M10	16	140	M14	20	25	键 8 x 15	W50 x 2 x 24 x 9g	135

# A8V变量双泵 Variable Displacement Double Pump A8V

元件尺寸, 规格55、80、107、125和160

Unit Dimensions, Size 55、80、107、125 and 160.

结构1.2

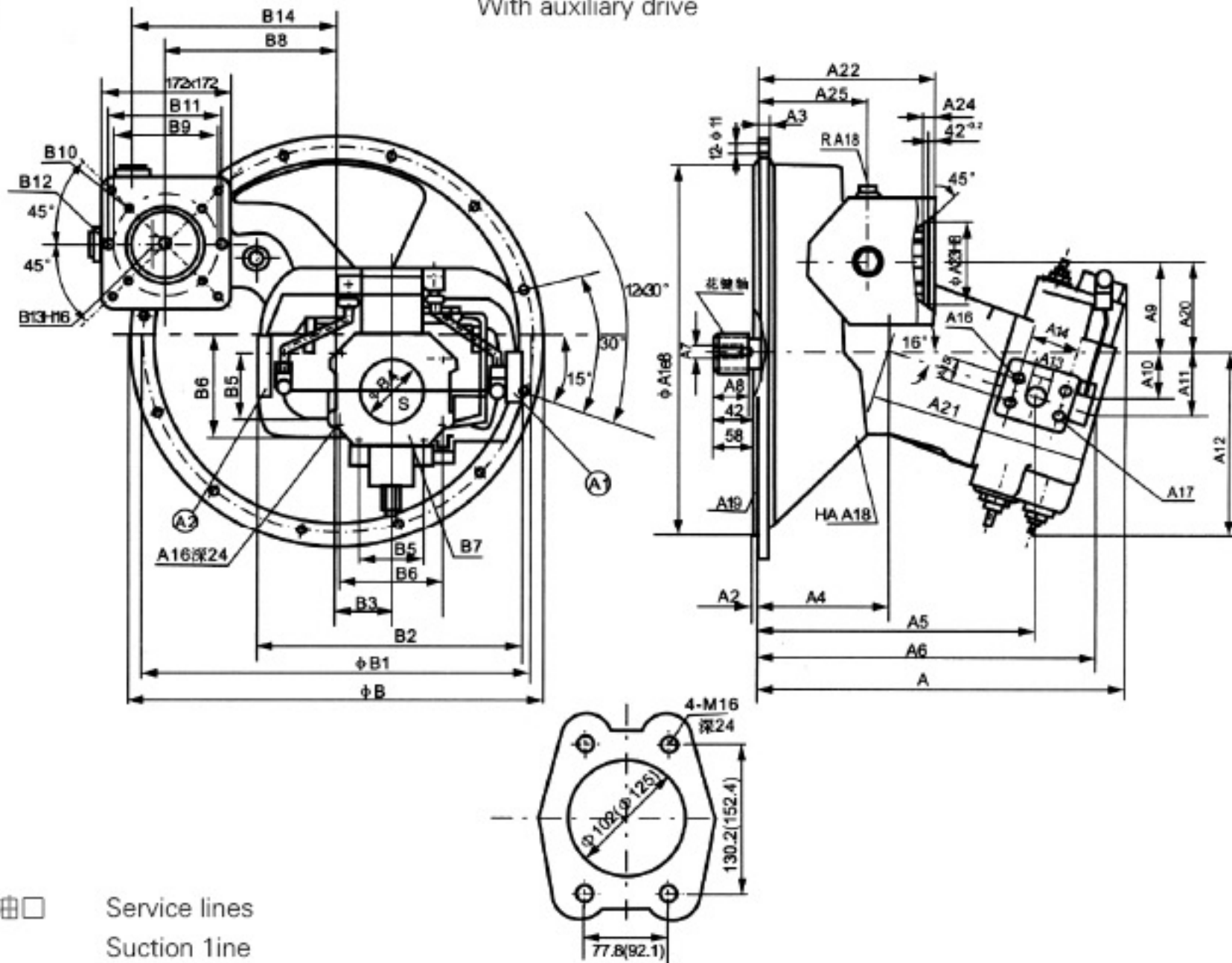
Design 1.2

不带减速齿轮

Without adaptor gear

带辅助驱动

With auxiliary drive



A1, A2= 工作油口 Service lines  
 S= 吸油口 Suction line  
 R= 排气口(堵死) Air bleed(plugged)  
 HA= 泄油口(堵死) Oil drain(plugged)

A8V125(160)吸油口 Suction line

规格 size	A	A1	A2	A3	A4	A5	A6	A7	A8	A9	A10	A11	A12	A13	A14	A15	A16	深 Deep	A17法兰 Flange
55	361	361.95	5	12	130	273	331	M12	28	92	41	57.6	179.5	20	50.8	23.8	M10	17SAE <sup>3</sup> / <sub>4</sub> "	42MPa(6000Psi)
80	418	409.575	6	12	144	310	383	M16	36	107.3	47.2	68.5	214.3	25	57.2	27.8	M12	17SAE <sup>1</sup> / <sub>4</sub> "	42MPa(6000Psi)
107	443	447.7	6	16	157	335	407	M16	36	115.6	51	71.6	216.3	25	57.2	27.8	M12	18SAE <sup>1</sup> / <sub>4</sub> "	42MPa(6000Psi)
125	426	447.7	6	16	157	307.7	354.4	M16	36	272	47.5	62.2	222	25	57.2	27.8	M12	18SAE1"	42MPa(6000Psi)
160	542	511.2	6	20	221	421	473	M20	42	224	57	72	257	32	31.8	66.7	M14	19SAE <sup>1</sup> / <sub>4</sub> "	42MPa(6000Psi)

规格 size	A18	A19法兰 Flange	A20	A21	A22	A23	A24	A25	B	B1	B2	B3	B4	B5	B6	B7法兰 Flange
55	M18×1.5	SAE4							407	381	270	54.25	76	61.9	106.4	SAE3" 3.5MPa
80	M22×1.5	SAE3	110	240.5	211	100	12	127	456	428.625	290	60.5	102	77.8	103.2	SAE4" 3.5MPa
107	M22×1.5	SAE2	108	260	214	100	12	137	495	466.7	320	67	102	77.8	130.2	SAE4" 3.5MPa
125	M22×1.5	SAE2	108	157	214	100	12	137	495	466.7	320	67	102			SAE4" 3.5MPa
160	M22×1.5	SAE1	162.6	208	280	110	25		555	530.2	384	85.5	125			SAE5" 3.5MPa

规格 Size	B8	B9	B10	深 deep	B11	B12	深 deep	B13	平键CB1096 Keyed	花键DIN5480 Splined	重量Kg Weight
55										W40×2×18×9g	80
80	175	125	M10	16	140	M14	20	25	8×36	W45×2×21×9g	110
107	198.5	125	M10	16	140	M14	20	25	8×45	W50×2×24×9g	145
125	198.5	125	M10	16	140	M14	20	25	8×45	W50×2×24×9g	180
160	202.8	138	M10	16	160	M14	20	25	8×45	W60×2×28×9g	200



# A8V变量双泵 Variable Displacement Double Pump A8V

元件尺寸, 规格55, 80和107

Unit Dimensions Size 55、80 and 107

结构4

Design 4

结构2-5

Designs 2-5

带减速齿轮

with adaptor gear

结构2

Design 2

带辅助驱动和安装齿轮泵

with auxiliary drive and

带减速齿轮

with adaptor gear

(带锥轴和螺钉固定)的联轴节

coupling for mounting of

不带辅助驱动

without auxiliary drive

gear pump

结构3

Design 3

(with tapered shaft and

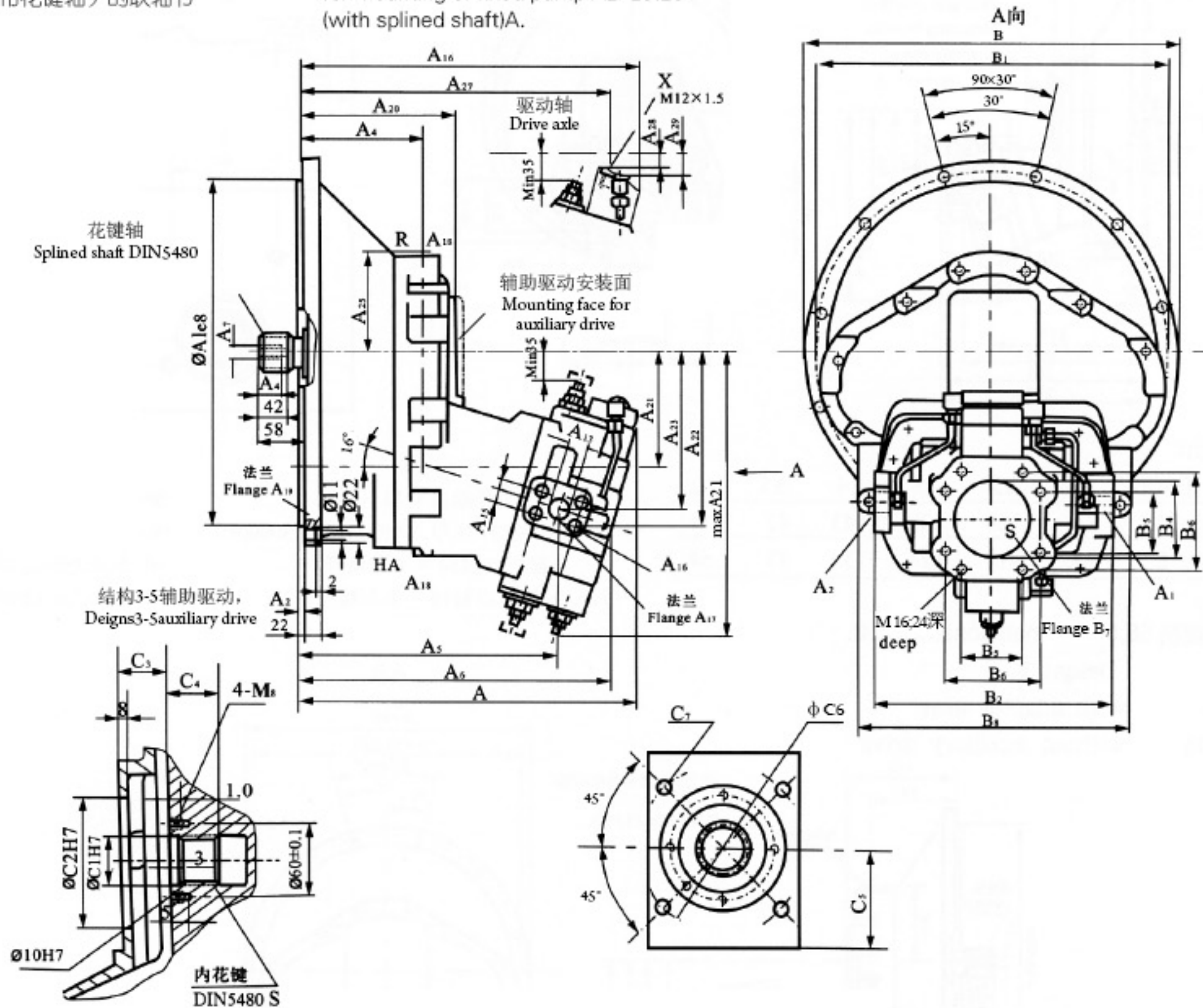
带减速齿轮

with adaptor gear

bolt-on fixing)

带辅助驱动和安装定量泵A2F23.28  
(带花键轴)的联轴节

with auxiliary drive and coupling  
for mounting of fixed pump A2F23.28  
(with splined shaft)A.



A1,A2 = 工作油口

Service lines

S = 吸油口

Suction line

R = 排气口(堵死)

Air bleed(plugged)

HA = 泄油口(堵死)

Oil drain(plugged)

X = 先导口

pilot port

规格

内花键DIN5480

Size	C1	C2	C3	C4	C5	C6	C7	内花键DIN5480 Splined hub Profile
55	34	80	42.5	33	55	100	M8深17	N30×2×14×9H
80	40	105	42.5	41	60	125	M10深12.5	N35×2×16×9H
107	40	105	42	41	62	125	M10深12.5	N35×2×16×9H

规格

深 A17法兰

A19法兰

size	A	A1	A2	A4	A5	A6	A7	A8	A13	A14	A15	A16	深 deep	A17法兰 Flange	A18	A19法兰 Flange	A20	A21
55	361	361.95	5	130	273	331	M12	28	20	50.8	23.8	M10	17	SAE <sup>3</sup> / <sub>4</sub> " 42MPa(6000Psi)	M18×1.5	SAE4	176	312
80	418	409.575	6	144	310	383	M16	36	25	57.2	27.8	M12	17	SAE" 42MPa(6000Psi)	M22×1.5	SAE3	191	344
107	443	447.7	6	157	335	407	M16	36	25	57.2	27.8	M12	17	SAE1" 42MPa(6000Psi)	M22×1.5	SAE2	204	360

规格

B7法兰

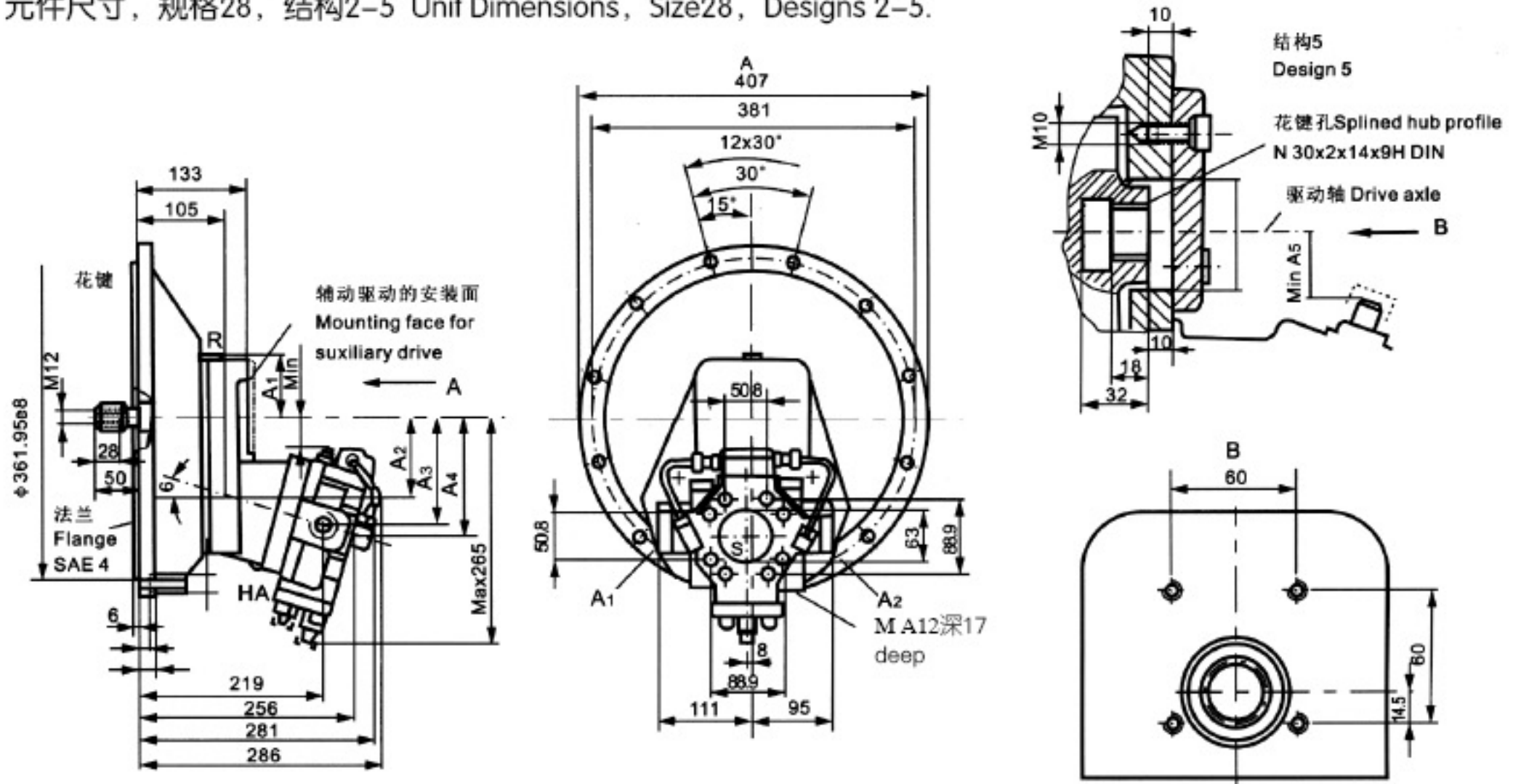
花键

重量

Size	A22	A23	A24	A25	A26	A27	A28	A29	B	B1	B2	B4	B5	B6	B7法兰 flange	B8	花键 Splined Shaft	重量 Weight
55	181	164.3	123.3	115	370	322	6	8	407	381	270	76	61.9	106.4SAE3"	3.5MPa(500Psi)	320 W40×2×18×9g	100	
80	198.2	177.5	129.7	115	420	382	7	12.5	456	428.625	290	102	77.8	130.2SAE4"	3.5MPa(500Psi)	340 W45×2×21×9g	130	
107	215.3	194.7	143.7	128	453	406	21.5	27	495	466.7	320	102	77.8	130.2SAE4"	3.5MPa(500Psi)	360 W50×2×24×9g	165	

# A8V变量双泵 Variable Displacement Double Pump A8V

元件尺寸, 规格28, 结构2-5 Unit Dimensions, Size28, Designs 2-5.



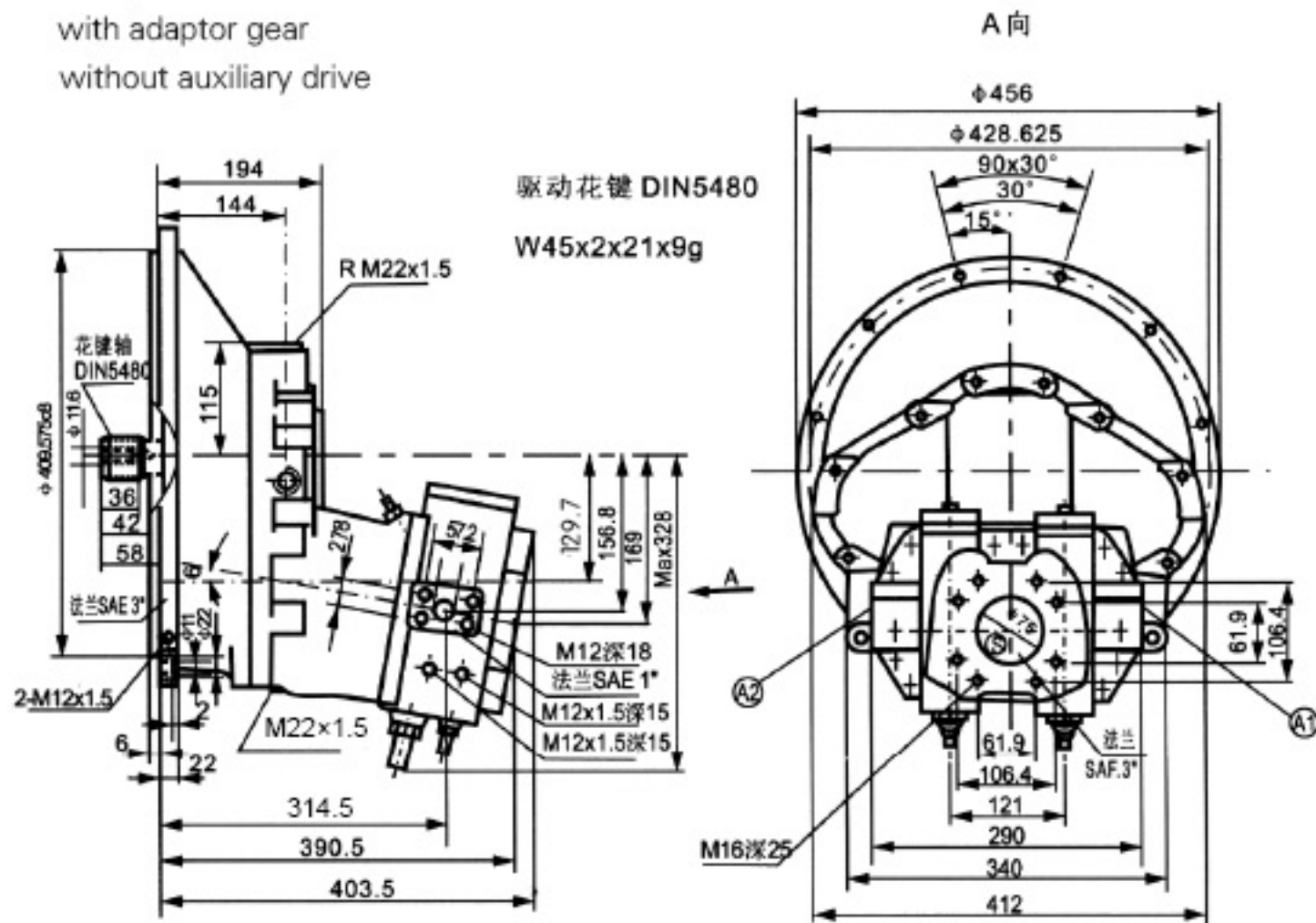
重量	Weight						kg
速比	Gear Ratio	A1	A2	A3	A4	A5	
速比1	Ration 1	83	100	133	143	42	54
速比2	Ration 2	73.5	91	124	134	33	54

A1,A2 = 工作油口 M33 × 2  
 S = 吸油口 21/2.SAE,21MPa(3000psi)  
 R = 排气口 M14 × 1.5(堵死)  
 HA = 泄油口 M14 × 1.5(堵死)

Service lines  
 Suction line  
 air bleed(plugged)  
 oil drain(plugged)

元件尺寸, 规格58, Unit Dimensions, Size58.

结构2 Design 2  
 带减速齿轮 with adaptor gear  
 不带辅助驱动 without auxiliary drive



A1,A2 = 工作油口 M33 × 2  
 S = 吸油口 21/2.SAE,21MPa(3000psi)  
 R = 排气口 M14 × 1.5(堵死)  
 HA = 泄油口 M14 × 1.5(堵死)  
 T1,T2 = 冷却冲洗口

Service lines  
 Suction line  
 air bleed(plugged)  
 Oil drain(plugged)  
 flushing port





 **销售服务热线** **400-000-6987**

**本公司通过：**

- 【 ISO9001质量管理体系认证 】
- 【 ISO14001环境管理体系认证 】
- 【 OH SAS18001职业健康安全管理体系认证 】
- 【 CE认证 】

编制：华德液压技术中心



**北京华德液压工业集团有限责任公司**  
BEIJING HUADE HYDRAULIC INDUSTRIAL GROUP CO., LTD.

2012年10月编制